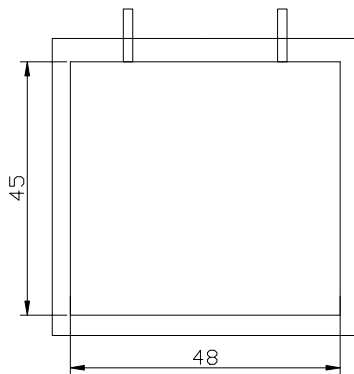
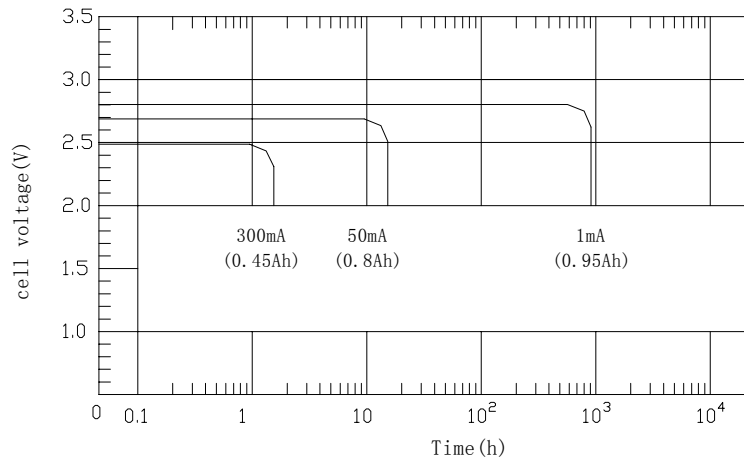


LI/MnO₂ BATTERY

CF264845 DATA SHEET



Dimensions Unit: mm



1. Application range

Lithium Manganese Dioxide Thin Cell battery, Model CF264845
Manufacturer: Guangzhou Markyn Battery Co., Ltd.

2. Objective

To regulate the performance index and test method of CF Battery, as well as guidelines and warnings.

3. Technical parameter

- 3.1 Model: CF264845
- 3.2 Nominal voltage: 3.0V
- 3.3 Nominal capacity: 950mAh(Continuously discharged under 1mA current till 2.0V end-voltage at the temperature of 23°C±3°C)
- 3.4 Max. constant current: 300mA
- 3.5 Max. pulse current: 800mA

- 3.6 Operating temperature range: $-40^{\circ}\text{C} \sim +60^{\circ}\text{C}$
- 3.7 Nominal weight: 8.8g.
- 3.8 Max. Outer dimensions: 2.8x48.0x45.0mm
- 3.9 Structures: Manganese dioxide cathode、lithium anode、organic electrolyte、polypropylene separator and steel battery can and cap.
- 3.10 Self-discharging rate: $\leq 2\%$ per year.

4. International attestation



5. Application

Radio communication transmitter-receiver, underwater weapons, medical instruments, RFID active tag/card, automatic sanitary ware, intelligent IC card, PC computer RAM, CMOS memory backup power supply, portable communication equipment, time counter, number counter and so