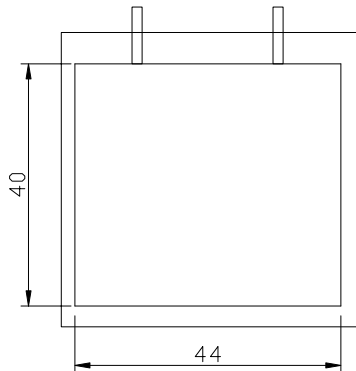
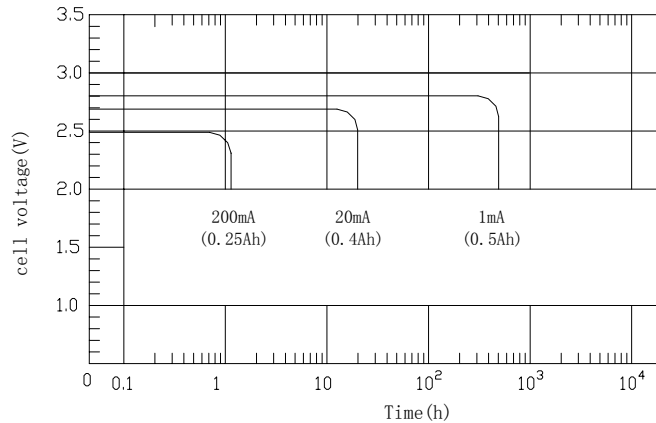


## LI/MnO<sub>2</sub> BATTERY

### CF204440 DATA SHEET



Dimensions Unit: mm



### 1. Application range

Lithium Manganese Dioxide Thin cell battery, Model CF204440  
Manufacturer: Guangzhou Markyn Battery Co., Ltd.

### 2. Objective

To regulate the performance index and test method of CF Battery, as well as guidelines and warnings.

### 3. Technical parameter

- 3.1 Model: CF204440
- 3.2 Nominal voltage: 3.0V
- 3.3 Nominal capacity: 530mAh(Continuously discharged under 1mA current till 2.0V end-voltage at the temperature of 23°C±3°C )
- 3.4 Max. constant current: 200mA
- 3.5 Max. pulse current: 500mA

- 3.6 Operating temperature range:  $-40^{\circ}\text{C} \sim +60^{\circ}\text{C}$
- 3.7 Nominal weight: 6.2g.
- 3.8 Max. Outer dimensions: 2.0x44.0x40.0mm
- 3.9 Structures: Manganese dioxide cathode、 lithium anode、 organic electrolyte、 polypropylene separator and steel battery can and cap.
- 3.10 Self-discharging rate:  $\leq 2\%$  per year.

#### 4. International attestation



#### 5. Application

Radio communication transmitter-receiver, underwater weapons, medical instruments, RFID active tag/card, automatic sanitary ware, intelligent IC card, PC computer RAM, CMOS memory backup power supply, portable communication equipment, time counter, number counter and so