

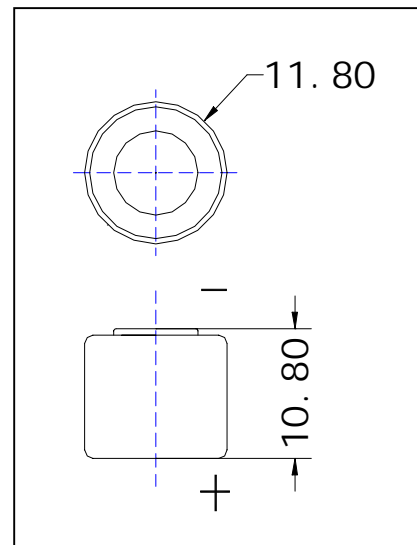
LITHIUM BATTERIES



CR1/3A 3.0V 160mAh

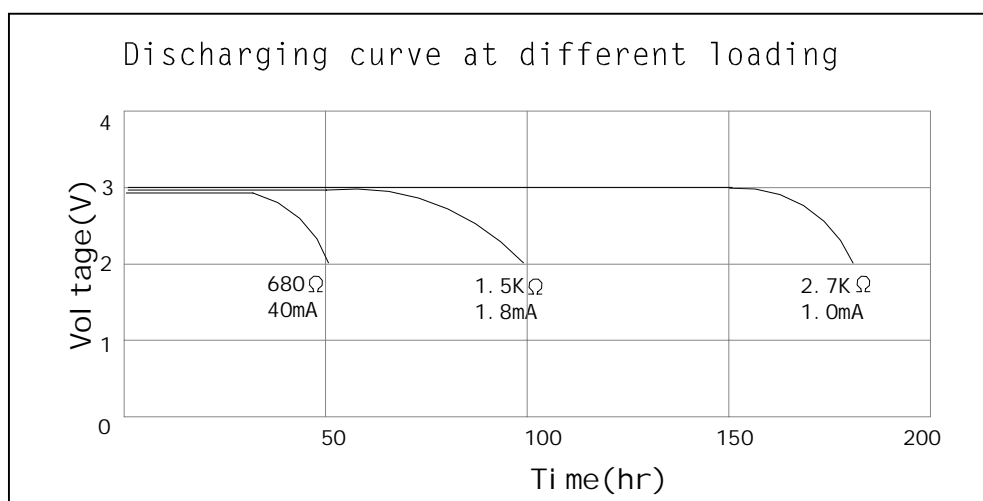
lithium-manganese dioxide batteries

Nominal capacity (2mA to 2.0V)	160 mAh
Nominal voltage	3.0 V
Max. Continuous operating current	50 mA
Max. pulse current	80 mA
Battery weight	3.3 g
Battery Dimension	φ 11.8×10.8 mm
operating temperature	-40°C~+60°C



Notes: All dimensions are in mm.
Tolerance is $\pm 0.3\text{mm}$.

Characteristics:



Warning:

- .Do not short-circuit;
- .Do not recharge, force over-discharge, assemble / disassemble and crush; risk of fire and burns;
- .Do not use under temperature above specified range