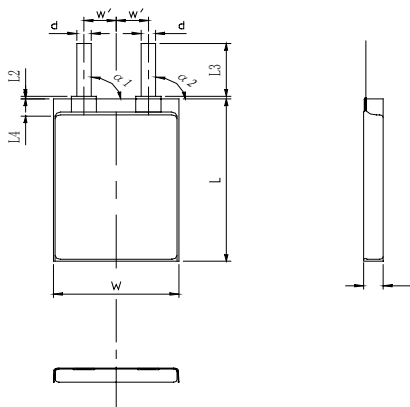


602040

| Items | | Normal | Remark |
|------------------------------------|-----------|-------------|--|
| Capacity | Typ. | 480mAh | 0.2CmA(90mA) discharge |
| | Min. | 450mAh | |
| Voltage | | 3.7V | 0.2CmA(90mA) average voltage |
| Internal Resistance | | ≤60mΩ | |
| Power Off Voltage | | 2.75V | |
| Charging Current | | 450mA | Standard charging |
| Maximum Charging Voltage | | 4.25V | |
| Charging Time | | Approx 2.5h | 450mA charging |
| Maximum Charging Current | | 675mA | 1.5CmA |
| Maximum Discharge Current | | 900mA | 2.0CmA |
| Approximate Weight | | about 9g | |
| Operating Temperature and Humidity | Charging | 0~+45°C | |
| | Discharge | -20~+60°C | |
| Storage Temperature | <1 month | -20~+45°C | Recommended storage temperature during transportation is at 23°C |
| | >6 months | -20~+35°C | |



| Items | Dimension |
|----------|-------------|
| T (Max.) | 6mm |
| W (Max.) | 20.5mm |
| L (Max.) | 40.5mm |
| L2 | 1.25±0.75mm |
| L3 | 9±1mm |
| L4 | 3~4mm |
| W' | 6±1mm |
| d | 5mm |
| a1 | 90±5° |
| a2 | 90±5° |

T: Thickness W': Center Length
W: Width d: Tab Width
L: Length a1: Tab Angle
L2: Tape Height a2: Tab Angle
L3: Tab Height L4: Tab Edge Width

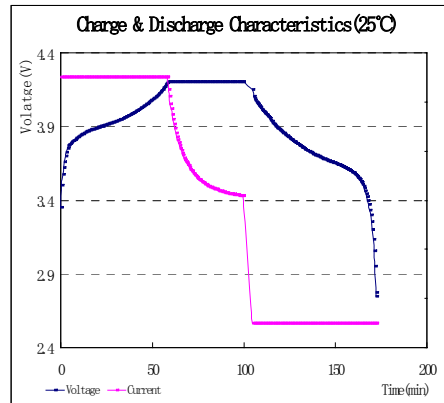


Figure 1 Charge & Discharge Characteristic

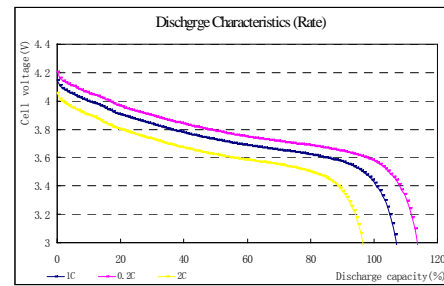


Figure 2 Discharge Characteristic

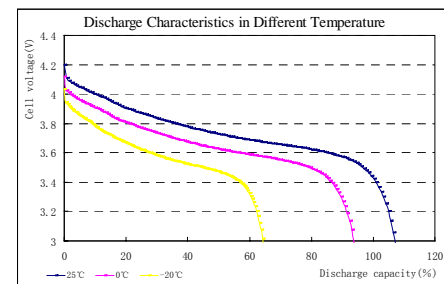


Figure 3 Discharge Characteristic in Different T

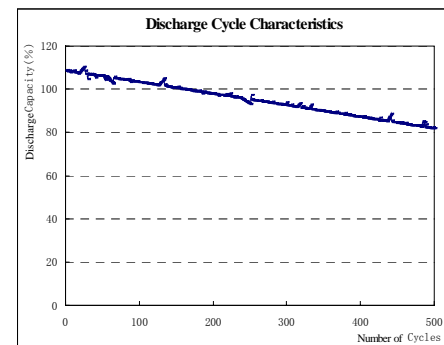


Figure 4 Discharge Cycle Characteristic