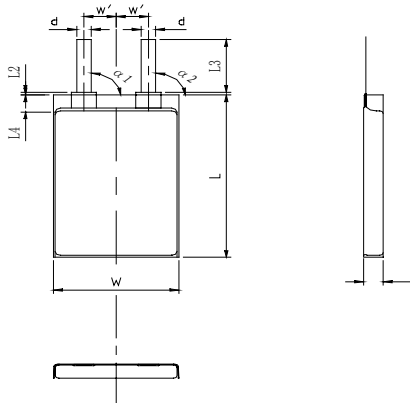


601235

| Items                              |           | Normal      | Remark  |
|------------------------------------|-----------|-------------|---|
| Capacity                           | Typ.      | 180mAh      | 0.2CmA(34mA) discharge  |
|                                    | Min.      | 170mAh      |   |
| Voltage                            |           | 3.7V        | 0.2CmA(34mA) average voltage                                      |
| Internal Resistance                |           | ≤60mΩ       |   |
| Power Off Voltage                  |           | 2.75V       |   |
| Charging Current                   |           | 170mA       | Standard charging   |
| Maximum Charging Voltage           |           | 4.25V       |   |
| Charging Time                      |           | Approx 2.5h | 170mA charging  |
| Maximum Charging Current           |           | 255mA       | 1.5CmA  |
| Maximum Discharge Current          |           | 340mA       | 2.0CmA  |
| Approximate Weight                 |           | about3g     |   |
| Operating Temperature and Humidity | Charging  | 0~+45°C     |   |
|                                    | Discharge | -20~+60°C   |   |
| Storage Temperature                | <1 month  | -20~+45°C   | Recommended storage temperature during transportation is at 23 °C |
|                                    | >6 months | -20~+35°C   |   |



| Items    | Dimension   |
|----------|-------------|
| T (Max.) | 6mm         |
| W (Max.) | 12.5mm      |
| L (Max.) | 35.5mm      |
| L2       | 1.25±0.75mm |
| L3       | 9±1mm       |
| L4       | 3~4mm       |
| W'       | 6±1mm       |
| d        | 5mm         |
| a1       | 90±5°       |
| a2       | 90±5°       |

T: Thickness      W': Center Length  
W: Width          d: Tab Width  
L: Length          a1: Tab Angle  
L2: Tape Height   a2: Tab Angle  
L3: Tab Height     L4: Tab Edge Width

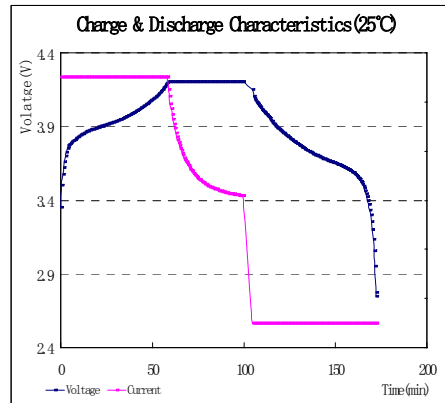


Figure 1 Charge & Discharge Characteristic

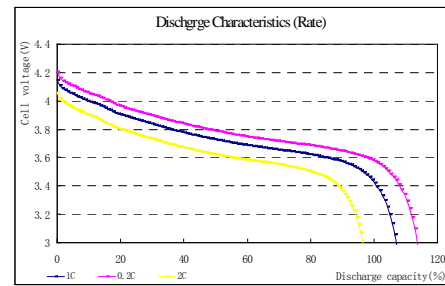


Figure 2 Discharge Characteristic

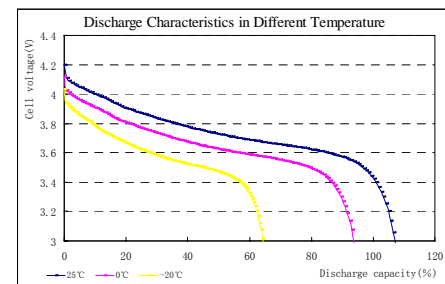


Figure 3 Discharge Characteristic in Different T

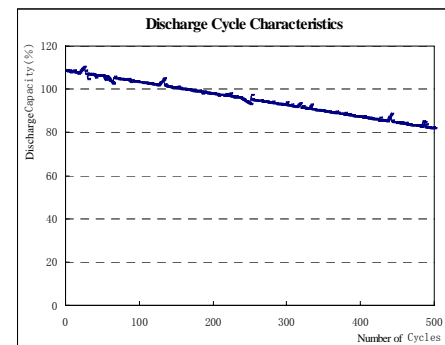


Figure 4 Discharge Cycle Characteristic