

343340

Items		Normal	Remark
Capacity	Typ.	450mAh	0.2CmA(84mA) discharge
	Min.	420mAh	
Voltage		3.7V	0.2CmA(84mA) average voltage
Internal Resistance		≤60mΩ	
Power Off Voltage		2.75V	
Charging Current		420mA	Standard charging
Maximum Charging Voltage		4.25V	
Charging Time		Approx 2.5h	420mA charging
Maximum Charging Current		630mA	1.5CmA
Maximum Discharge Current		840mA	2.0CmA
Approximate Weight		about8g	
Operating Temperature and Humidity	Charging	0~+45°C	
	Discharge	-20~+60°C	
Storage Temperature	<1 month	-20~+45°C	Recommended storage temperature during transportation is at 23 °C
	>6 months	-20~+35°C	

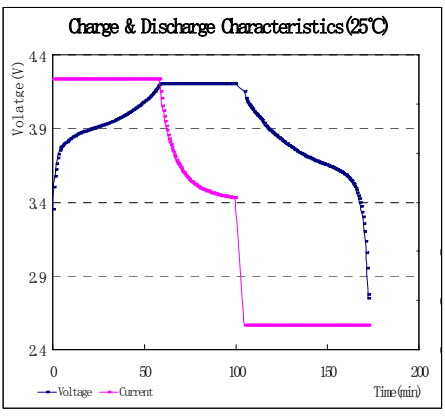
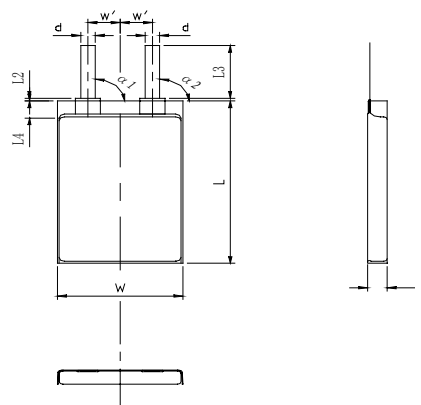


Figure 1 Charge & Discharge Characteristic



Items	Dimension
T (Max.)	3.4mm
W (Max.)	33.5mm
L (Max.)	40.5mm
L2	1.25±0.75mm
L3	9±1mm
L4	3~4mm
W'	6±1mm
d	5mm
a1	90±5°
a2	90±5°

T: Thickness      W': Center Length  
W: Width          d: Tab Width  
L: Length        a1: Tab Angle  
L2: Tape Height   a2: Tab Angle  
L3: Tab Height    L4: Tab Edge Width

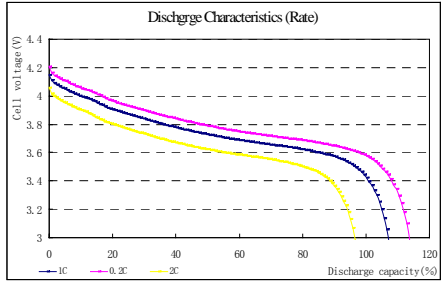


Figure 2 Discharge Characteristic

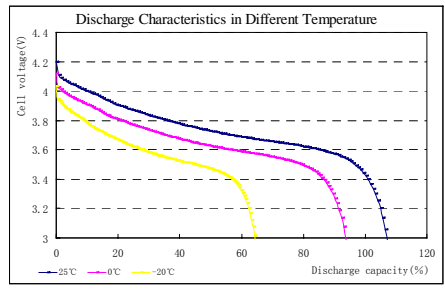


Figure 3 Discharge Characteristic in Different T

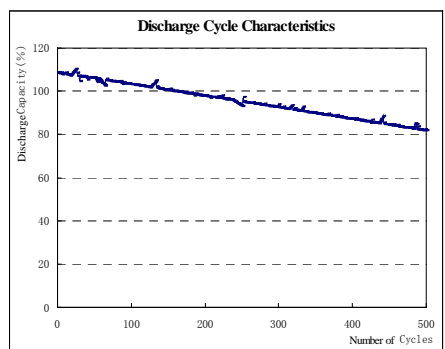


Figure 4 Discharge Cycle Characteristic