

LITHIUM BATTERIES

**ER32L65
3.6V 1000mAh**

lithium-thionyl chloride batteries



Cellsizereferences:110UM1,110R20,110D

Electrical characteristics

(Stored for one year or less)

⦿ **Nominal Capacity** 1000 mAh
(1.0 mA to 2.0V, at 25°C)

⦿ **Nominal voltage** 3.6V

⦿ **Max continuous dischargecurrent** 10mA

⦿ **Max. Pulse current** 50 mA
Current value is obtaining 2.0V cell voltage when pulse is applied
for 15 seconds at 50% discharge depth at 25°C

⦿ **Storage temperature** 20°C ~ 30°C

⦿ **Operating temperature** -55°C ~ 85°C


⦿ **Weight(approx)** 17g

WARNING:

Fire,explosion and severe burn hazard.Do not recharge,crush disassamble
heat above 100°C,incinerate or exposecontents to water.

Key features

- High and stable operating voltage
- Low self-discharge rate
Less than 1% after 1 year ofstorage at 20°C
- Stainless steel container
- Hermetic glass-to-metal sealing
- Non-flammable electrolyte
- Compliant with IEC 86-4 safety
standard
- Non-restricted for transport

 **UL Component Recognition**
File Number MH 45782

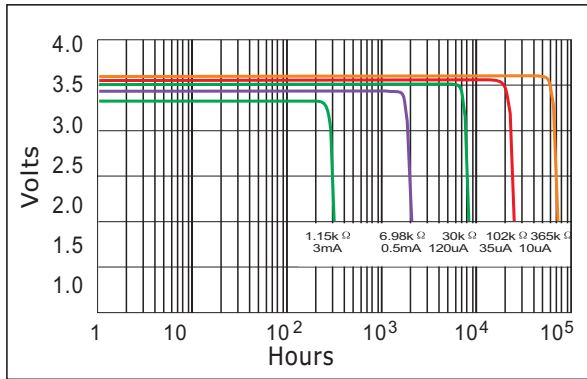
Main applications

- TPMS
- Alarms and security system
- Memory back-up
- Tracking system
- Automotive electronics
- Professional electronics
- Computer real-time clocks

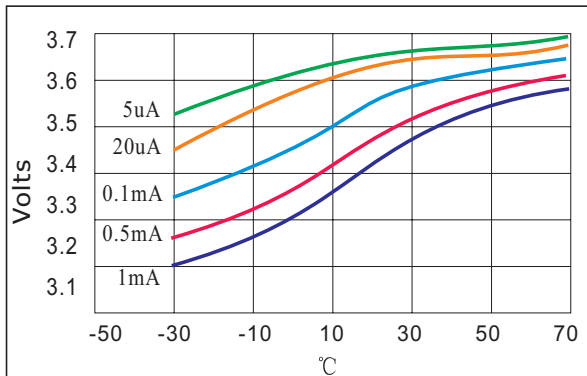
.....

LITHIUM BATTERIES

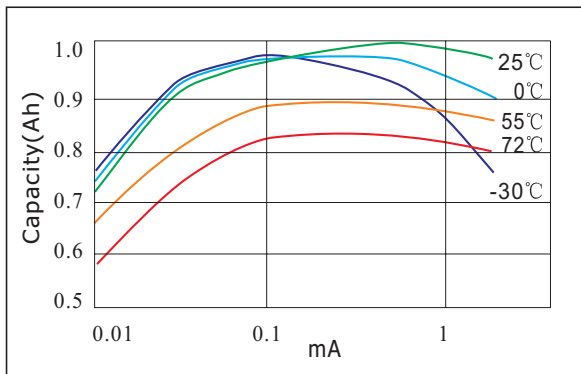
Typical discharge at 25°C



Voltage plateau versus Current and Temperature

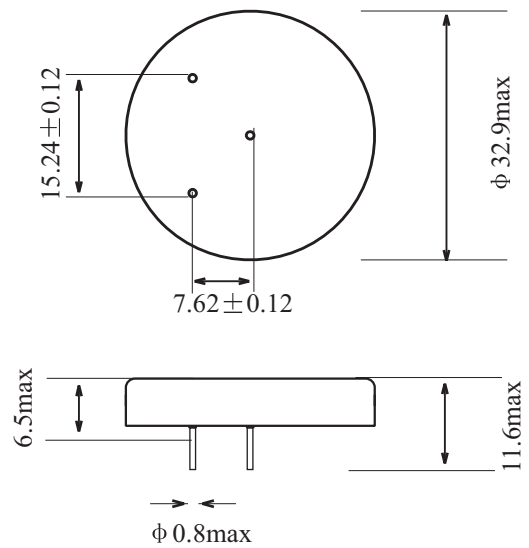


Capacity versus Current and Temperature



ER32L65

lithium-thionyl chloride batteries



Unit: mm

Available Terminations		
-/P		Axial Pin
-/T	/PT2	Radial Pin
-/PT	/TP	Polarized Tab