

LITHIUM BATTERIES



Cell size references:CR2

Electrical characteristics

(Stored for one year or less)

| | |
|--|--------------|
| ◉ Nominal Capacity (10mA to 2.0V, at 25°C) | 750mAh |
| ◉ Nominal voltage | 3.0V |
| ◉ Max continuous discharge current | 1000mA |
| ◉ Max. Pulse current Current value is obtaining 2.0V cell voltage when pulse is applied for 15 seconds at 50% discharge depth at 25°C | 1500mA |
| ◉ Storage temperature | 20°C ~ 30°C |
| ◉ Operating temperature | -40°C ~ 60°C |
| ◉ Weight(approx) | 11g |

WARNING:

Fire, explosion and severe burn hazard. Do not recharge, crush, disassemble, heat above 100°C, incinerate or expose contents to water.

CR 15270 3.0V 750mAh

lithium-manganese dioxide batteries

Key features

- High and stable operating voltage
- Low self-discharge rate
Less than 1% after 1 year of storage at 20°C
- Stainless steel container
- Hermetic glass-to-metal sealing
- Non-flammable electrolyte
- Compliant with IEC 86-4 safety standard
- Non-restricted for transport

UL Component Recognition
File Number MH 45782

Main applications

- TPMS
- Alarms and security system
- Memory back-up
- Tracking system
- Automotive electronics
- Professional electronics
- Computer real-time clocks

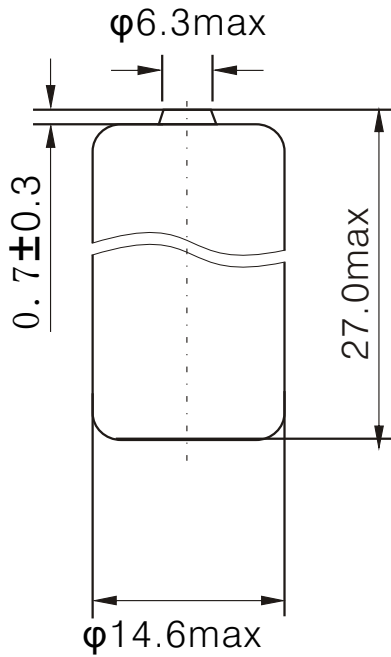
.....

LITHIUM BATTERIES

CR15270

lithium-manganese dioxide batteries

Dimensions:



Unit: mm

| Available Terminations | |
|------------------------|---------------|
| -/P | Axial Pin |
| -/T /PT2 | Radial Pin |
| -/PT /TP | Polarized Tab |

Typical discharge at 25°C

